

# TOP-LINE®

1890 Swarthmore Avenue, PO Box 2020, Lakewood, NJ 08701  
 Phone: 800-526-3694, 732-363-4700, Fax: 732-364-8110  
 www.encoreplumbing.com • www.componenthardware.com

**PROJECT NAME:** \_\_\_\_\_

**LOCATION:** \_\_\_\_\_

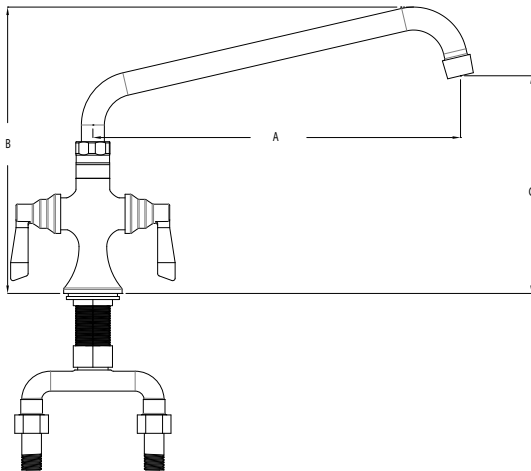
**SPECIFIER ITEM NO.** \_\_\_\_\_ **QTY:** \_\_\_\_\_

**TOP-LINE PART NO.** \_\_\_\_\_

## TOP-LINE® Low Lead Deck Mount Double Pantry Faucet with Swing Spout

### TLL50-90xx Series

- TLL50-9006 6" Straight Swing Spout
- TLL50-9008 8" Straight Swing Spout
- TLL50-9010 10" Straight Swing Spout
- TLL50-9012 12" Straight Swing Spout
- TLL50-9014 14" Straight Swing Spout



Dimensions shown in inches (mm) are for reference only and are subject to change.

1/2" NPSM Male Inlets with  
 1/4" NPT Compression Fittings  
 Operating Temperature: 40-180°F (5-83°C)  
 Operating Pressure: 15-125psi

Approximate shipping weight - 5 lbs  
 Warranty - 2 years parts

Solid heavy duty cast brass body is specific and commercial quality

#### Commercial Quality Features

- Straight swing spout design
- ADA-compliant lever handles
- Leak proof double O-ring spout design
- Stainless steel spout

#### SPECIFICATIONS:

Low Lead Deck Mount Double Pantry Faucet to be TOP-LINE TLL50 Series in the following configuration:

- \_\_\_\_\_ TLL50-9006 6" Straight Swing Spout
- \_\_\_\_\_ TLL50-9008 8" Straight Swing Spout
- \_\_\_\_\_ TLL50-9010 10" Straight Swing Spout
- \_\_\_\_\_ TLL50-9012 12" Straight Swing Spout
- \_\_\_\_\_ TLL50-9014 14" Straight Swing Spout

Faucet body to be constructed of polished chrome plated brass with total lead content less than 0.25% by weighted average. Supply inlets to be 4" on center. Valve to be full turn compression type. Spout to be stainless steel straight swing style with leak proof double O-ring seal design. 2.2gpm aerator @ 60psi standard aerator. Levers handle are color coded HOT or COLD. Single hole deck mount faucet accommodates installations up to 1" (25mm) thick. Faucet body incorporates a sealant recess or rubber gasket (included) to create watertight seal around faucet base. Mounting hardware included (1/2" NPS male inlet with compression seal and nut for standard lavatory risers).

Model No.	A	B	C
TLL50-9006	6" (152mm)	8-1/4" (210mm)	6-1/8" (156mm)
TLL50-9008	8" (203mm)	8-3/4" (222mm)	6-3/8" (162mm)
TLL50-9010	10" (254mm)	9" (152mm)	6-7/8" (175mm)
TLL50-9012	12" (305mm)	9-1/2" (229mm)	7-1/4" (184mm)
TLL50-9014	14" (356mm)	9-3/4" (248mm)	7-1/2" (191mm)

**COMPLIES WITH:**  
 THE FEDERAL "REDUCTION OF LEAD  
 IN DRINKING WATER ACT" -  
 2011 - US SENATE BILL NO. S.3874  
 NSF/ANSI 61/9, ANNEX G

